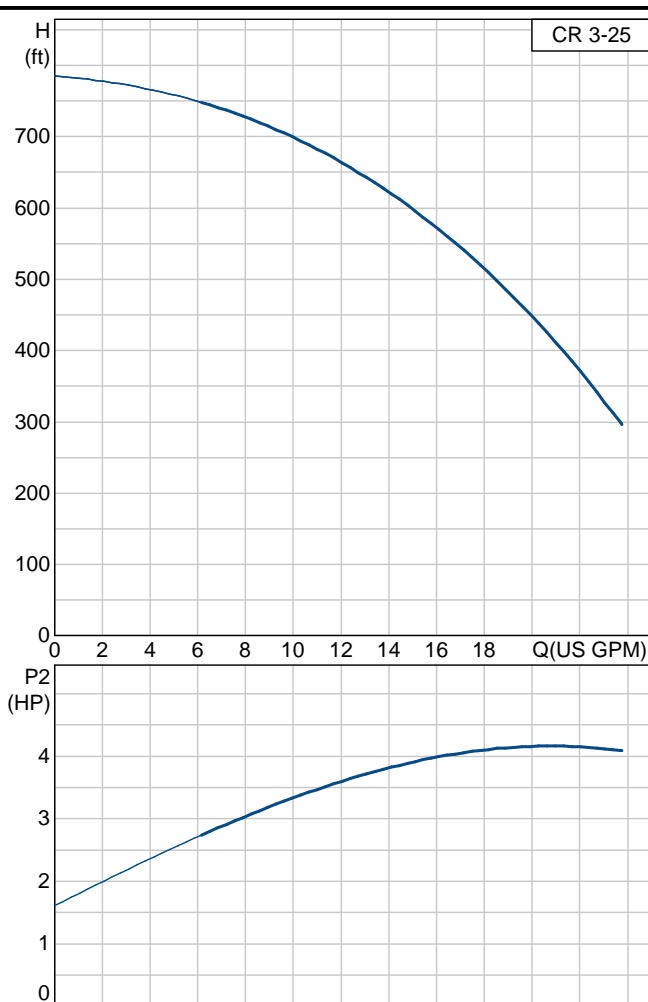
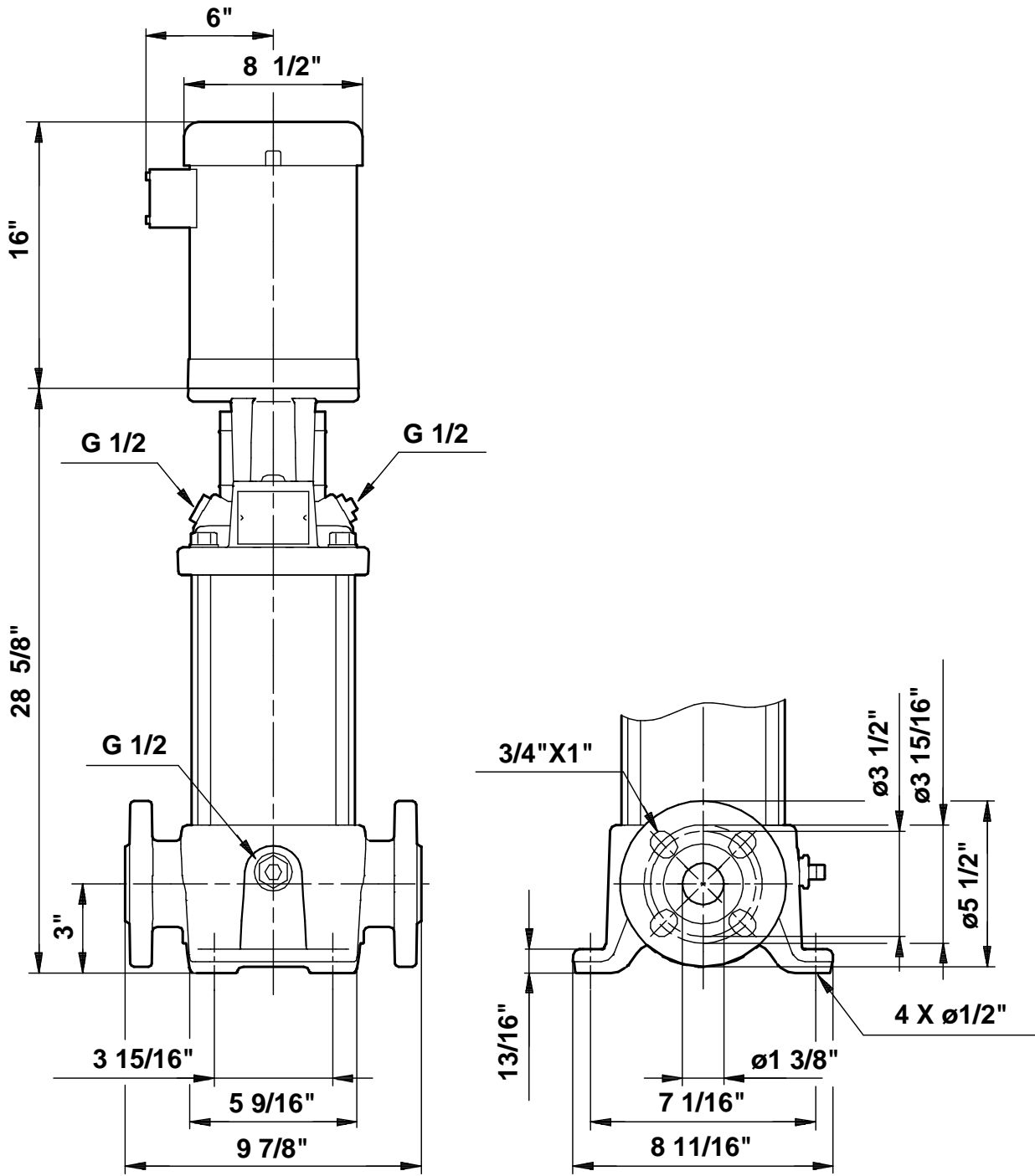


Description	Value
Product name:	CR 3-25
Product Number:	96083324
EAN number:	5700395184921
Technical:	
Speed for pump data:	3450 rpm
Rated flow:	15.85 US GPM
Rated head:	562 ft
Impellers:	25
Type of shaft seal:	HQQV
Stages:	25
Pump version:	U
Model:	A
Cooling:	TEFC
Materials:	
Material, pump housing:	Cast iron EN-JL1030 DIN W.-Nr. 25 B ASTM
Material, impeller:	Stainless steel 1.4301 DIN W.-Nr. 304 AISI
Material code:	A
Code for rubber:	V
Installation:	
Maximum ambient temperature:	104 °F
Max pressure at stated temp:	363 / 194 psi/°F
Standard, pipe connection:	ANSI
Connect code:	FGJ
Size, pipe connection:	1 1/4"
Pressure stage, pipe connec.:	Class 300
Flange size for motor:	182TC
Liquid:	
Liquid temperature range:	-4 .. 194 °F
Electrical data:	
Motor type:	3628M
Number of poles:	2
P2:	5 HP
Power (P2) required by pump:	5 HP 5 HP
Mains frequency:	60 Hz
Rated voltage:	3 x 208-230 / 460 V
Service factor:	1,15
Rated current:	13,2-12 / 6 A
Rated speed:	3450 rpm
Insulation class (IEC 85):	F
Motor protection:	NONE
Motor Number:	85600012
Others:	
Net weight:	112 lb
Gross weight:	121 lb
Shipping volume:	3.88 ft³



96083324 CR 3-25



Note! All units are in [mm] unless others are stated.